

Ring 65

PENDANT



SPECIFICATION SHEET

Ring 65



Model 1691

Type
P Pendant

Size

24	25.5" [647mm]
36	36.9" [938mm]
48	48.4" [1229mm]
60	59.8" [1519mm]
72	71.2" [1808mm]
Custom	

Wattage ^{1,2}

Direct ³	Indirect ⁴
24"	
LD 18W (2400lm)	LI 18W (2400lm)
MD 36W (4460lm)	MI 36W (4460lm)
36"	
LD 27W (3600lm)	LI 27W (3600lm)
MD 54W (6685lm)	MI 54W (6685lm)
48"	
LD 36W (4800lm)	LI 36W (4800lm)
MD 72W (8915lm)	MI 72W (8915lm)
60"	
LD 45W (6000lm)	LI 45W (6000lm)
MD 90W (11145lm)	MI 90W (11145lm)
72"	
LD 54W (7200lm)	LI 54W (7200lm)
MD 108W (13375lm)	MI 108W (13375lm)

XD – No Direct XI – No Indirect

Color Temp ⁵

30	3000
35	3500
40	4000

Voltage

U	120/277 Volt
1	120 Volt (DFPN only – see section Control)

Driver

RD	Remote
ID	Integral (in canopy)

Control - RD

S	Non-dim
D010	0-10V 10%
DFPN	Lutron Forward Phase 1% 120 Volt
L3DAE	Lutron Hi-lume 1% EcoSystem
L3DOE	Lutron Hi-lume Premier 0.1% EcoSystem
X	If integral driver is selected

Control – ID (in canopy - if selected)

S	Non-dim
D010	0-10V 10%
X	If remote driver is selected

Diffuser Bottom

SW	Satin opal acrylic
CB	Aluminum – painted to match the fixture

Diffuser Top

SA	Satin clear acrylic
CT	Aluminum – painted to match the fixture

Finish ⁶

19	Painted anodized aluminum - RAL 9006 matte
21	Painted white - RAL 9010 matte
26	Painted black - RAL 9005 matte
22	Painted custom color

Mounting

SCRD	Straight cables - remote driver
SCID	Straight cables - driver in canopy
CERD	Center canopy - remote driver
CEID	Center canopy - driver in canopy

Circuit

CS	Circuit - Single
CD	Circuit - Dual

Power Cable ⁷

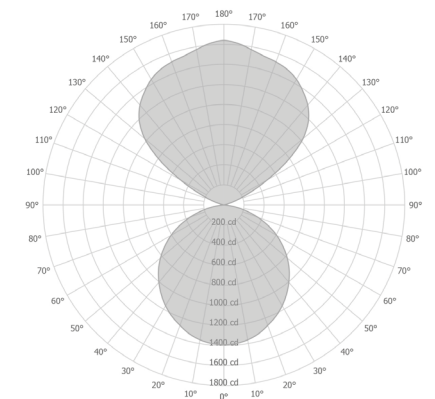
CC	Clear insulated cable (standard)
WC	White cable
BC	Black cable

Notes

- Nominal lumens value specified
- Linear LED board, constant voltage 24 Volt
- For no Direct light specify XD
- For no Indirect light specify XI
- 90+ CRI standard
- Canopy finish matches housing
- 96" standard cable length

Example fixture number:

1691 – P – 36 – LD – LI – 30 – U – RD – S – X – SW – SA – 19 – SCRd – CS – CC



Ring 65

PENDANT

Ring 65, with its appearance, gives a refined architectural statement and is suitable for use in any modern environment. Consider the many standard and custom modifications that can be used to make this a unique solution. The narrow line of the light fixture enables you to create appealing lighting scenarios.



Size	
24	25.5" [647mm]
36	36.9" [938mm]
48	48.4" [1,229mm]
60	59.8" [1,519mm]
72	71.2" [1,808mm]
Custom	



* 65mm x 65mm fixture body profile
* Straight cables or center canopy mounting options available

Ring 65

PENDANT



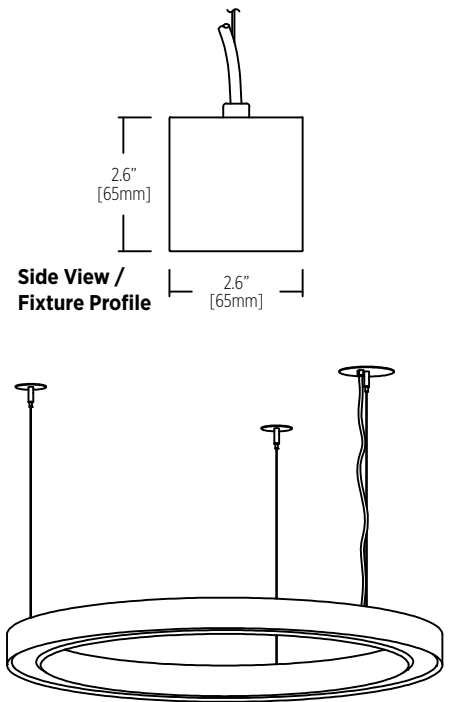
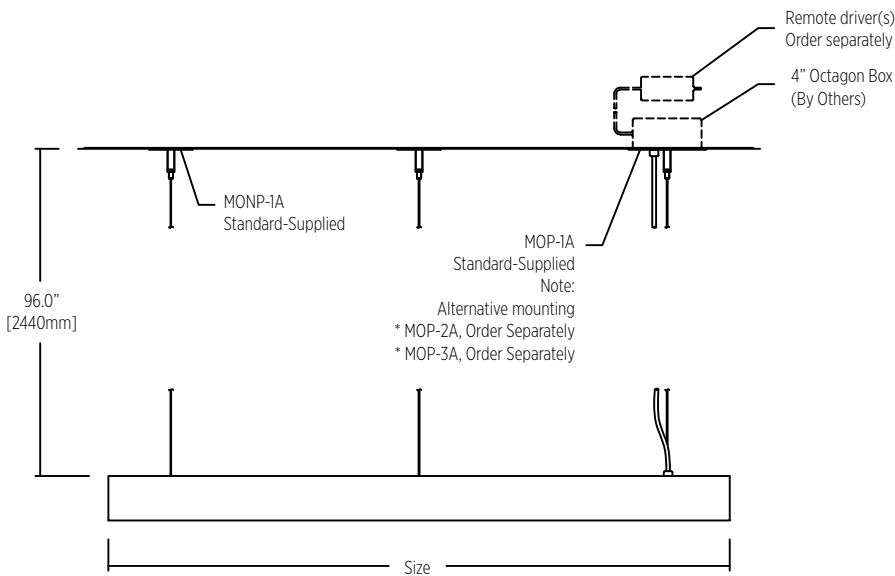
SPECIFICATION SHEET

Ring 65



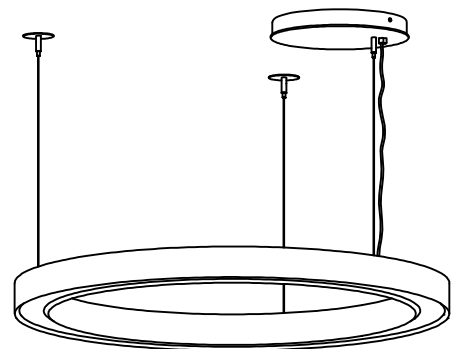
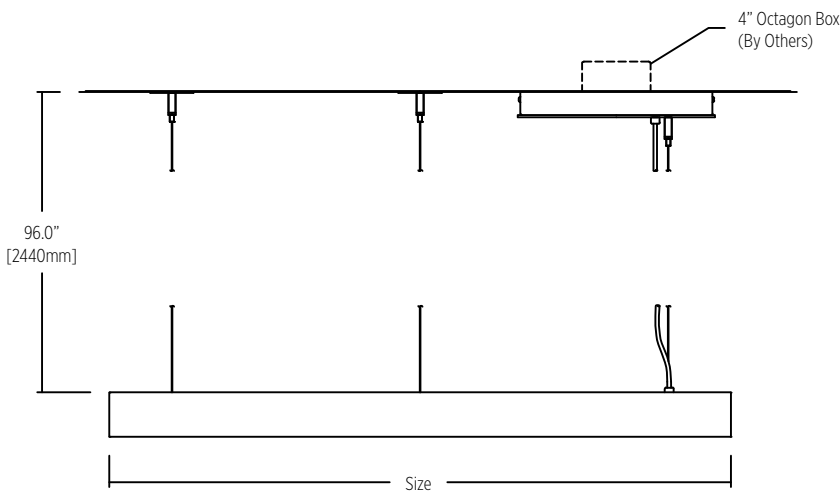
INSTALLATION TYPE

Straight cables with remote driver



Note:
See page 3 & 4 for mounting options

Straight cables with surface mounted canopy with integral driver - Order separately



Ring 65

PENDANT

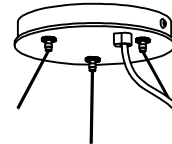
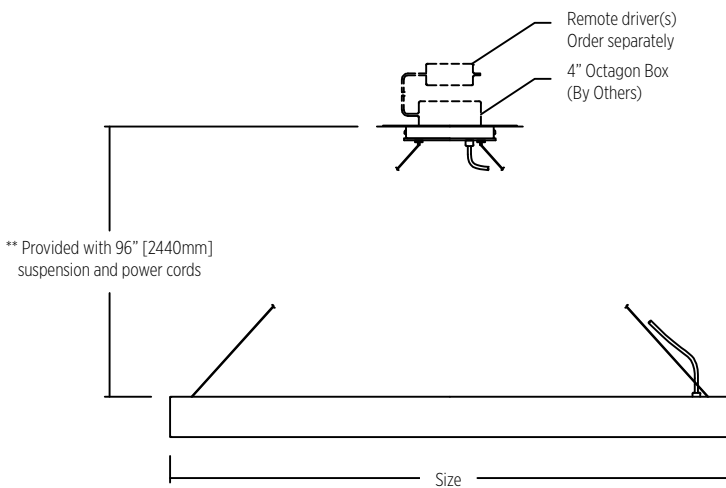


SPECIFICATION SHEET

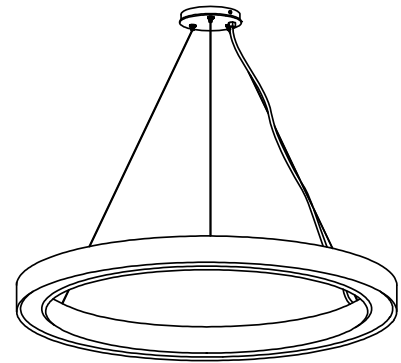
Ring 65



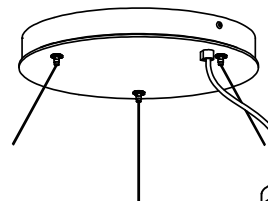
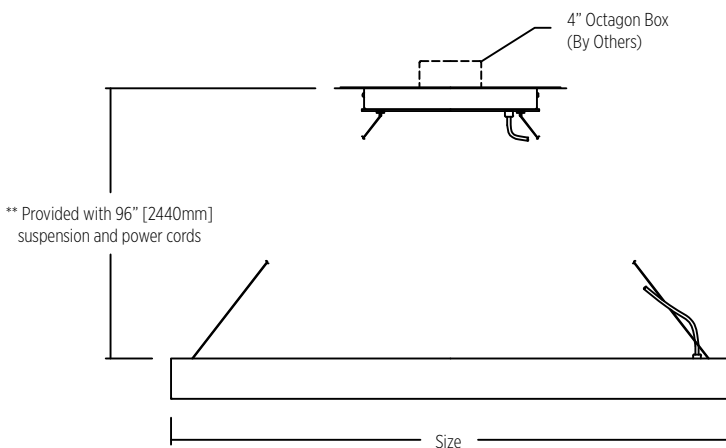
Center canopy with remote driver



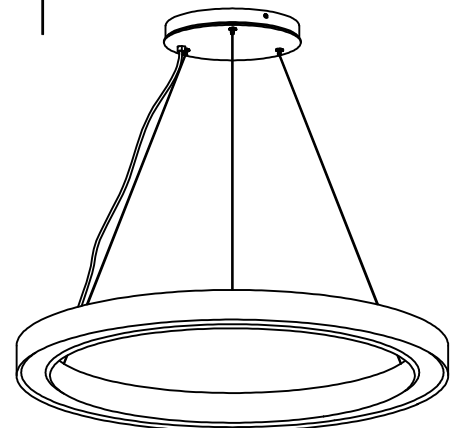
**Center canopy
5.9" [150mm] Diameter**
Fixture mounts directly to
4" octagon box - supplied
and installed by others



Center canopy with integral driver



**Center canopy
10" [254mm] Diameter**
Fixture mounts directly to
4" octagon box - supplied
and installed by others



Minimum mounting height per fixture size for center canopy options:

Fixture Size (Diameter)	Minimum Mounting Height
24" [647mm]	15" [380mm]
36" [938mm]	20" [510mm]
48" [1,229mm]	30" [760mm]
60" [1,519mm]	40" [1,015mm]
72" [1,808mm]	50" [1,270mm]

Ring 65

PENDANT



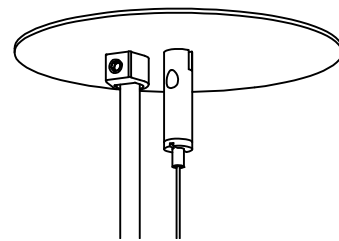
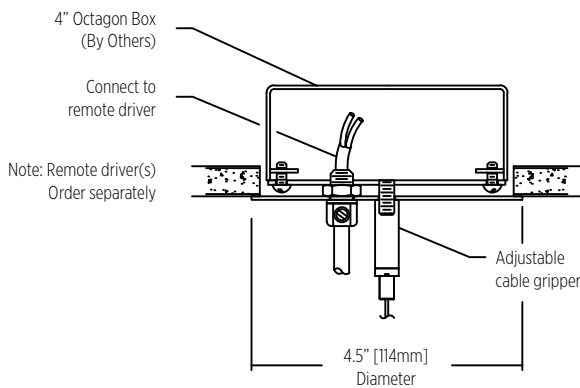
SPECIFICATION SHEET

Ring 65



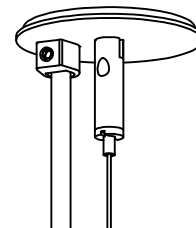
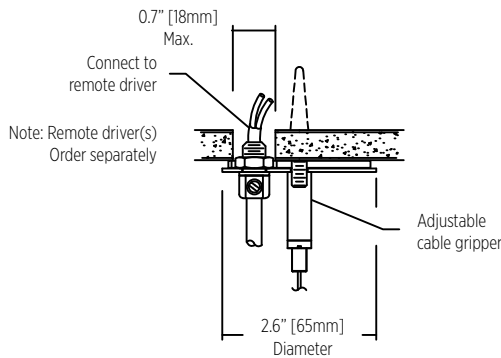
STRAIGHT CABLES MOUNTING OPTION - POWER

MOP-1A Standard - Supplied



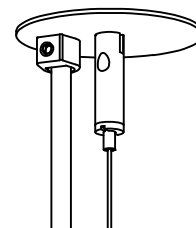
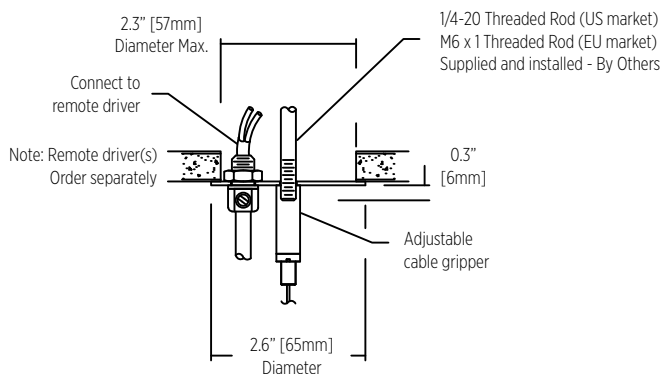
Mounting Option Power 1A
Octagon Box (By Others)
Installed in drywall, wood or concrete ceiling

MOP-2A-1 Order Separately



Mounting Option Power 2A-1
Suspension assembly
Installed in drywall or wood ceiling

MOP-2A-2 Order Separately



Mounting Option Power 2A-2
Suspension assembly
Installed in drywall or wood ceiling

Ring 65

PENDANT

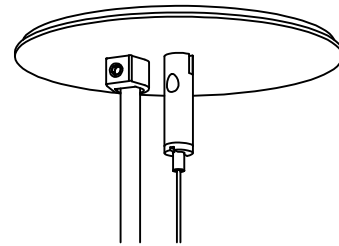
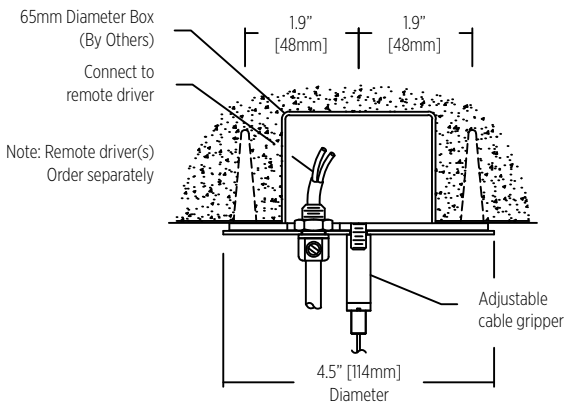


SPECIFICATION SHEET

Ring 65



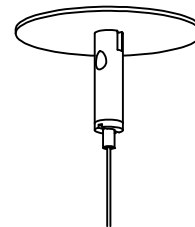
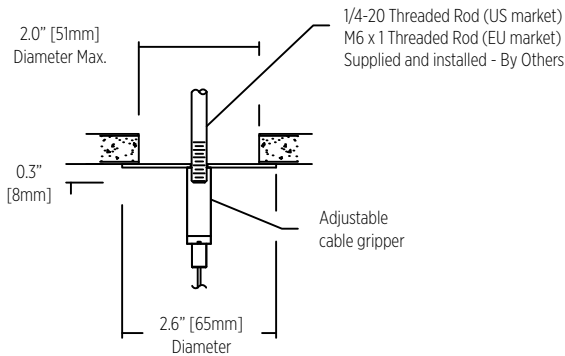
MOP-3A Order Separately



Mounting Option Power 3A
65mm Diameter Box (By Others)
Installed in drywall, wood or concrete ceiling

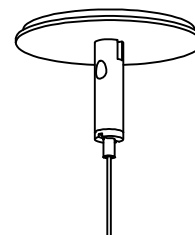
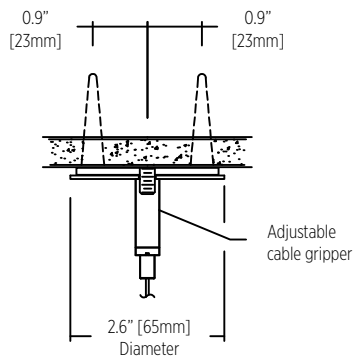
STRAIGHT CABLES MOUNTING OPTION - NON POWER

MONP-1A-1 Standard - Supplied



Mounting Option - Non Power
Threaded Rod installed
to structural ceiling (By Others)

MONP-1A-2 Alternative - Supplied



Mounting Option - Non Power
Suspension Assembly
Installed in drywall, wood or concrete ceiling